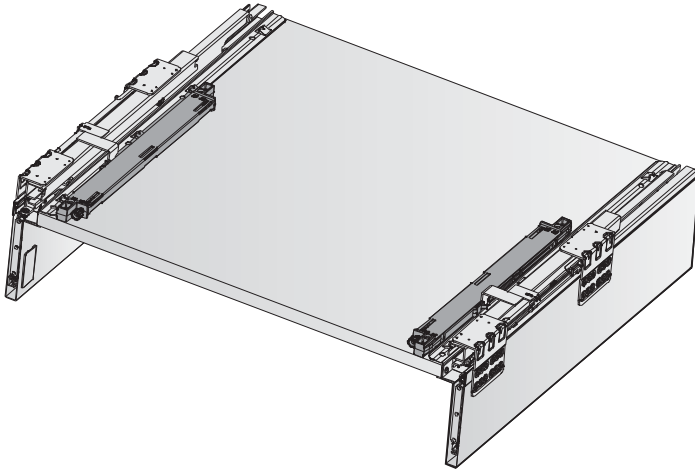


# Tacto Slimline

## Assembly Instructions

Titus+

i



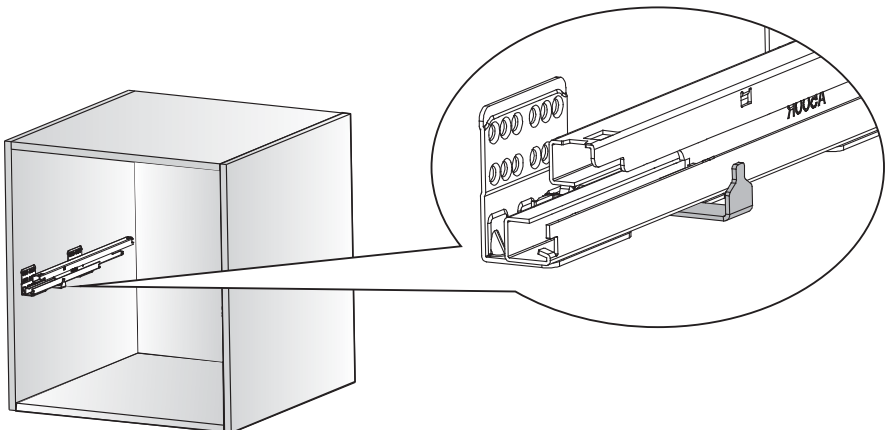
2x



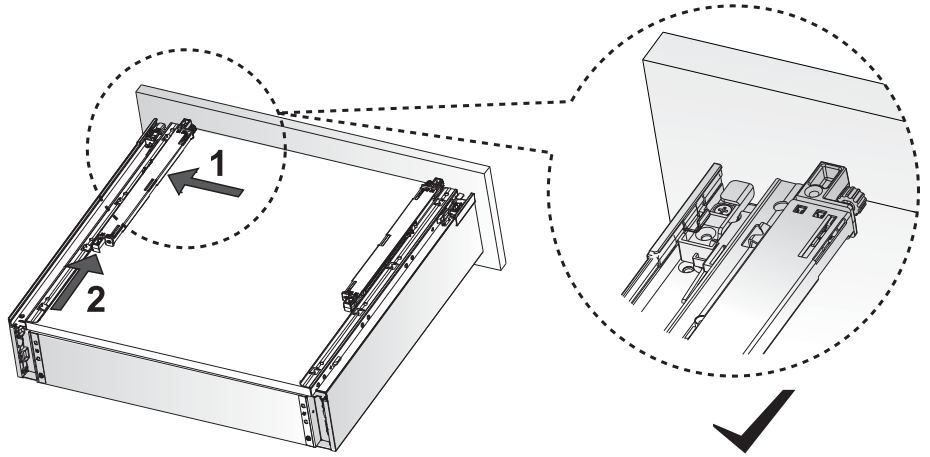
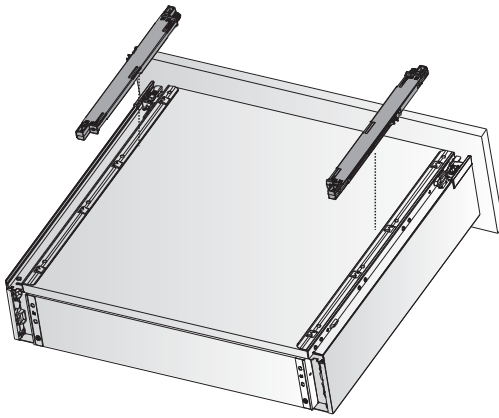
4x



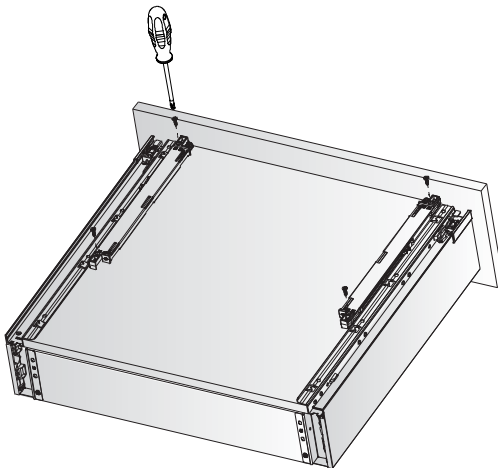
ii

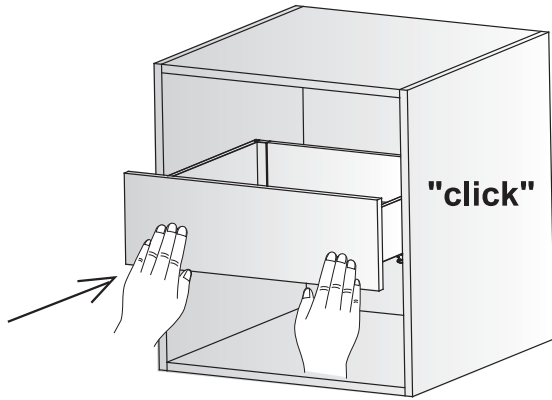
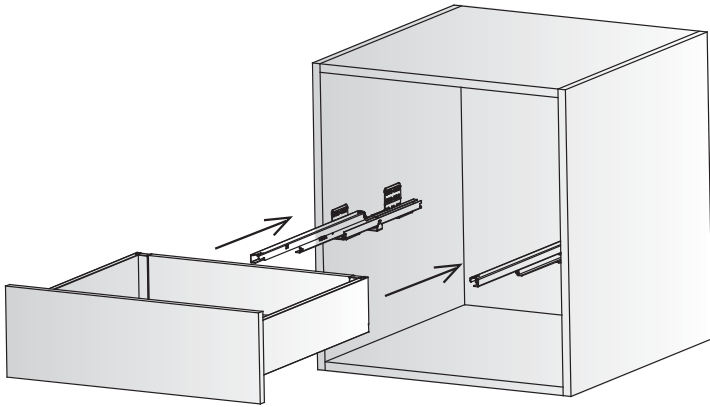


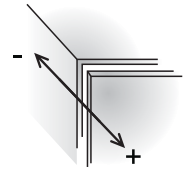
1



2







Operating gap min 1.5mm

